

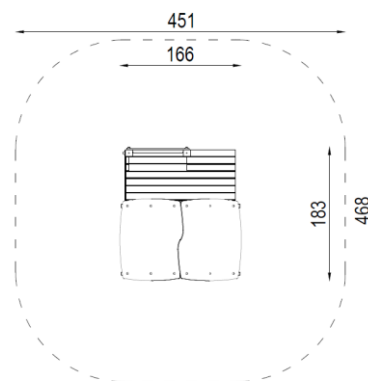


**TECHNICAL DATA:**

Easily accessible device,  
according to standard EN 1176-1:2017

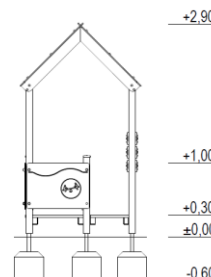
Device dimensions:	1,66 x 1,83m
Device height:	2,90m
Minimum space:	4,51 x 4,68m
Falling area:	19,14m <sup>2</sup>
Critical fall height:	0,30m
Foundations depth:	-0,60m

**Projection and device view**



The device according to EN 1176-1:2017  
Playground equipment and surfacing – Part 1:  
General safety requirements and test methods

- Safety surfaces:
- paved, turf/topsoil, sand, gravel, bark, synthetic surface
  - minimal thickness for loose particulate materials 200+100mm
  - synthetic surface according to critical fall height



## MATERIALS:

Construction poles:	glued laminated pine timber, rounded at the edges, varnish painted dark brown
Anchors:	galvanized steel
Flat decorative elements:	HDPE sheets,
Platforms:	impregnated pinewood boards,with machined anti-skid surface,
Steel elements:	galvanized steel, powder coated
Tic tac toe:	polypropylene rolls
Caps:	plastic
Foundations:	concrete min. C12/15 standard



SATERNUS DISTRIBUTION Sp. z o.o. sp.k.  
ul. Nowa 32  
41-500 Chorzów, Poland

Certificate beholder:  
Producer:  
Distributor:

GRUPA SATERNUS Sp. z o.o. S. K. A. reserves all rights to protect copyright under the Act of February 4, 1994 on Copyright and Related Rights (Journal of Laws No. 28, item 83), and in particular Art. 78 and 79 of this Law.

GRUPA SATERNUS Sp. z o.o. S. K. A.  
Saternus Production Sp. z o.o. sp. k.  
Saternus Distribution Sp. z o.o. sp. k.